

# 11925PB (4710PS)

## AC Axial Fan

# 119<sup>□</sup>X25<sup>L</sup>



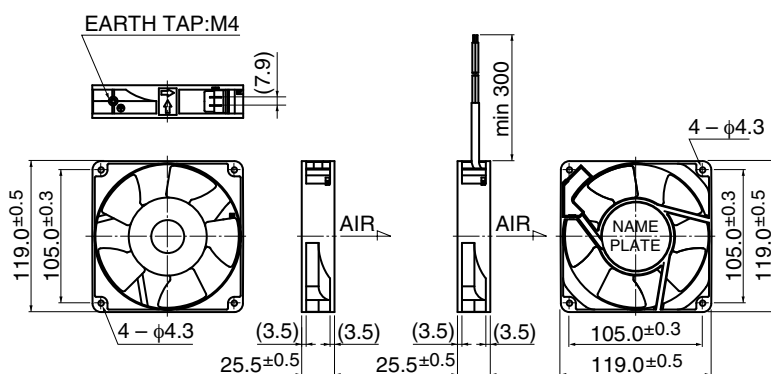
### General Specifications

- Motor Structure : Shaded Pole Induction Motor
- Motor Protection : Impedance Protection
- Insulation Resistance : Min 100MΩ by DC 500V Megger
- Dielectric Withstand Voltage : AC1800V 3s
- Allowable Ambient : - 10°C ~ + 70°C (Operating)
- Temperature Range : - 40°C ~ + 70°C (Storage)
- non-condensing environment

### Expected Life ※ Failure Rate: 10% (L10 Life)

25°C 100,000 (Hours)

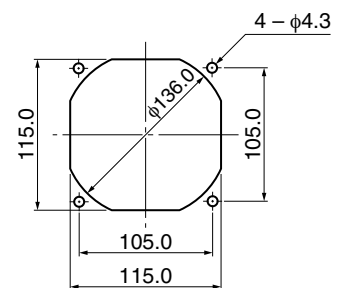
### Outline



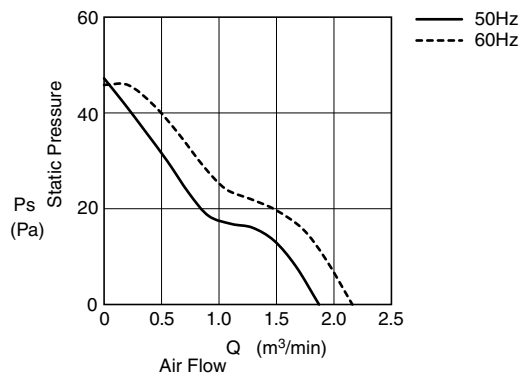
(0.5mm)  
\* Only flange type casing is available.

### Panel Out-cuts

(Inlet Side) / (Outlet Side)



### Characteristic Curves



### Material

- Casing : Aluminum (Black Painting)
- Impeller : Plastic (Black) UL94V-0
- Bearing : Ball Bearing
- Terminal : Faston #110 or Equiv

Lead Wire type is also available.

Lead Wire : UL3266, AWG22

### Specifications

Model	Rating Voltage	Frequency	Starting Voltage	Current	Input Power	Speed	Max. Air Flow		Max. Static Pressure		Noise	Mass
	(V)	(Hz)	(V)	(A)*2	(W) <sup>+10% -20%</sup>	(min <sup>-1</sup> )*3	(m <sup>3</sup> /min)*3	(CFM)*3	(Pa)*3	(In H <sub>2</sub> O)*3	(dB)*1	(g)
11925PB-A0L-EA-00	100	50	65	0.220	14.0	2300	1.80	64.3	41.2	0.16	34.0	360
*4710PS-10T-B30-B00		60		0.180	11.0	2700	2.00	71.4	41.2	0.16	38.0	
11925PB-A1L-EA-00	115	50	75	0.190	14.0	2300	1.80	64.3	41.2	0.16	34.0	
*4710PS-12T-B30-A00		60		0.160	11.0	2700	2.00	71.4	41.2	0.16	38.0	
11925PB-B0L-EA-00	200	50	130	0.110	14.0	2300	1.80	64.3	41.2	0.16	34.0	
*4710PS-20T-B30-B00		60		0.090	11.0	2700	2.00	71.4	41.2	0.16	38.0	
11925PB-B2L-EA-00	220	50	175	0.100	14.0	2300	1.80	64.3	41.2	0.16	34.0	
*4710PS-22T-B30-B00		60		0.080	11.0	2700	2.00	71.4	41.2	0.16	38.0	
11925PB-B3L-EA-00	230	50	175	0.100	14.0	2300	1.80	64.3	41.2	0.16	34.0	
*4710PS-23T-B30-A00		60		0.090	11.0	2700	2.00	71.4	41.2	0.16	38.0	
11925PB-B4L-EA-00	240	50	175	0.100	15.0	2300	1.70	60.7	41.2	0.16	34.0	
*4710PS-24T-B30-A00		60		0.080	13.0	2700	2.00	71.4	41.2	0.16	38.0	

Rotation: Counterclockwise as seen from the label side  
Airflow Outlet: Label side  
\* Legacy Part Number

\*1: Average Values in Free Air  
\*2: Maximum Values in Free Air  
\*3: Minimum Values in Free Air